



2025 COMPLIANCE PROGRAM

For inquiries regarding this Compliance Program, please contact:

**Mary Lourdes Leone, CHC
Chief Compliance Officer
CalViva Health
7625 N. Palm Ave., Suite 109
Fresno, CA 93711
MLLeone@CalVivahealth.org
(559) 540-7856**

CALVIVA HEALTH COMPLIANCE PROGRAM

I. CALVIVA HEALTH OVERVIEW

The Fresno-Kings-Madera Regional Health Authority (referred to as the “RHA”), is a public entity created pursuant to a Joint Exercise of Powers Agreement between the Counties of Fresno, Kings and Madera. RHA is governed by a board (“The Commission”) consisting of representatives from these three counties. On April 15, 2010, RHA Commission adopted the name “CalViva Health” under which it does business. RHA was licensed on December 30, 2010, as a full-service health care plan (“The Plan”) pursuant to the provisions of the Knox-Keene Health Care Service Plan Act of 1975 as amended. RHA is licensed to offer health care services to enrollees in the Medi-Cal Managed Care Plan under the Two Plan Model in the counties of Fresno, Kings, and Madera. On December 30, 2010, RHA executed a contract with the California Department of Health Care Services (“DHCS”) to provide services to Medi-Cal managed care enrollees in all zip codes in these three counties. On December 11, 2023, RHA executed a new contract with DHCS with a start date of January 1, 2024.

CalViva Health’s compliance commitment not only includes its own internal operations but also extends to its oversight of its First Tier, Downstream and Related Entities (“FDRS”). These FDRs perform administrative functions and/or provide health care services to CalViva Health’s members under the Plan’s DHCS contract, and are required to have programs, standards, policies, and processes in place that comply with state and federal regulations and Medi-Cal requirements as applicable to the type of entity.

CalViva Health (“The Plan”) has an Administrative Services Agreement (“ASA”) with Health Net Community Solutions, Inc. (“HNCS”) to provide certain administrative services on the Plan’s behalf. The Plan also has a Capitated Provider Services Agreement (“CPSA”) with HNCS for the provision of health care services to CalViva Health members through Health Net’s network of contracted providers. HNCS is CalViva Health’s first tier, downstream subcontractor. Although the CPSA with HNCS covers a significant portion of the Plan’s network, the RHA also maintains direct contracts with three (3) federally qualified health centers (“FQHCs”) in Fresno, Kings, and Madera counties. HNCS provides the same administrative services for the Plan’s direct contracted providers as it does for Health Net’s contracted provider network.

CalViva Health also contracts with several local government health departments and agencies to provide health care services to CalViva Health members.

In serving its membership, CalViva Health is committed to establishing and maintaining its business operations in compliance with ethical standards, contractual obligations, and all applicable state and federal statutes and regulations, especially those pertaining to the Medi-Cal program. To that end, CalViva Health established a Compliance Program as described below.

II. COMPLIANCE PROGRAM PURPOSE AND OBJECTIVES

The Compliance Program exists to ensure that all CalViva members have access to quality health care services that are in compliance with all applicable state and federal statutes and regulations, and CalViva’s contractual requirements to DHCS.

Table 1 presents the primary objectives implicit in this purpose.

Table 1. Program Objectives

Ensure the integrity of CalViva’s Health Plan by upholding the ethical standards stated in the Code of Conduct, and complying with the policies and procedures that reflect our commitment to compliance.
Develop and maintain effective communication and collaboration with CalViva employees, subcontractors and regulators in order to maintain operational and regulatory integrity.
Provide oversight of subcontractors, including auditing of delegated functions.
Detect noncompliance as soon as possible, and in cooperation with CalViva subcontractors and stakeholders, make all reasonable efforts to correct or remedy the operational factors/circumstances under which the noncompliance occurred.
Report promptly to the appropriate state and federal agencies all required or contracted operational data, and also any suspected criminal and civil violations of statutes governing the provision of health care and health care plans.
Comply with the Department of Health Care Services (DHCS) and the Department of Managed Health Care (DMHC) in their audits of CalViva and its providers.

Additionally, CalViva’s Compliance Program is based on seven key elements stated in the Federal Sentencing Guidelines Manual as necessary for an effective compliance program:

1. Written standards of compliance
2. Designation of a Chief Compliance Officer
3. Effective education and training
4. Audits and evaluation techniques to monitor compliance
5. Reporting processes and procedures for complaints
6. Appropriate disciplinary mechanisms
7. Investigation and remediation of systemic problems

III. SCOPE

CalViva’s Compliance Program oversight extends to the members of the Commission and

the Commission's subcommittees, CalViva's employees and CalViva's delegated subcontractors, including contracted Knox-Keene licensed health plans (i.e., HNCS), participating providers, and suppliers.

IV. AUTHORITY AND OVERSIGHT

A. GOVERNMENT AGENCIES

The following are some of the state and federal agencies that have legal authority to regulate various aspects of health care and health care plans.

- Centers for Medicare and Medicaid (CMS)
- Office of Civil Rights (OCR)
- Department of Managed Health Care (DMHC)
- Department of Health Care Services (DHCS)

By extension, CalViva assumes contractual responsibility from DHCS for assuring compliance with the regulations promulgated by these agencies and has developed various operational policies and procedures for that purpose. Section VIII of this Program Description lists the statutes and regulations that specifically relate to CalViva's Compliance Program. Moreover, these agencies have the right to access premises to determine/investigate compliance with the applicable regulations, executed contracts, and for any other reasonable purpose with or without notice to CalViva or its subcontractors and delegates.

Corporate oversight of CalViva's Compliance Program is shared by the RHA Commission, CalViva's Compliance Committee, and CalViva's Chief Compliance Officer ("CCO"). Their respective roles are briefly outlined below:

B. RHA COMMISSION

1. Bears ultimate responsibility for overseeing and supporting CalViva's operations, including the Compliance Program.
2. Reviews and approves the Compliance Program annually, including the Privacy and Security Plan, the Fraud Prevention Program, and the Code of Conduct.
3. Reviews periodic reports of Compliance Program activities

C. THE COMPLIANCE COMMITTEE

1. Oversees CalViva's Compliance Program and advises the CCO on Compliance Program adequacy.
2. Reviews the Compliance Program annually, including the Privacy and Security Plan, the Fraud Prevention Program, and the Code of Conduct and recommends revisions as needed.
3. Analyzes CalViva's contractual, legal, and regulatory requirements and risk areas and

- consults with advisors and legal counsel as necessary.
4. Monitors reports of fraud, waste and abuse, and unauthorized use and/or disclosures of personal information (“PI”), including protected health information (“PHI”).
 5. Reviews and approves recommendations to modify or establish internal systems and controls necessary to carry out the Compliance Program.
 6. Supports investigational activities performed by the CCO, and or state and federal officials, as they relate to violations of the federal False Claims Act, Anti-Kickback Statute, and the Health Insurance Portability and Accountability Act (HIPAA).
 7. Reviews and approves disciplinary and corrective actions related to non-compliance with the Compliance Program.

D. CHIEF COMPLIANCE OFFICER (CCO)

1. Has operational accountability for the entire Compliance Program as detailed in this document.
2. Oversees the development, operation, evaluation and improvement of the Compliance Program, including corrective actions.
3. Prepares the Annual Compliance Program Evaluation.
4. Reports to CalViva’s Chief Executive Officer and the Commission.
5. Chairs the CalViva Compliance Committee.
6. Serves as CalViva’s “Anti-Fraud Officer”.
7. Serves as CalViva’s “Privacy Officer”.
8. Is the primary CalViva liaison with DHCS and DMHC.

V. COMPLIANCE RISK AREAS

The following presents just some of the potential risks associated with the delivery of health care and health plan administration. These, and many others, are the focus of the Compliance Program’s due diligence in monitoring, reporting, taking corrective action and improving.

A. Access & Availability, and Quality of Care:

- Unavailable or inaccessible covered services to members;
- Inappropriate withholding or delay of covered services;
- Improper interference with health care professionals’ advice to members regarding member’s health status, medical care and treatment;
- Non-credentialed physicians or unlicensed/certified practitioners and providers;
- Discrimination on the basis of race, color, national origin, sex, age, religion, ancestry, ethnic group identification, mental disability, physical disability, medical condition, genetic information, marital status, gender, gender identify or sexual orientation.

B. Data Collection and Submission:

- Noncompliance with contractual and regulatory requirements related to the accurate, complete, timely and truthful submission of data (e.g., encounters data, claims data, financial reports and other required operational reports).

C. Member Grievance and Appeal Procedures:

- Failure to ensure that members are properly notified of their grievance and appeal rights;
- Failure to respond and resolve member grievances and appeals within the required timeframes.

D. Emergency Services:

- Improper use of prior authorization for emergency services;
- Denial of payment for emergency services based on contractual standards, including the “prudent layperson” standard;
- Unavailable or inaccessible emergency services within the Plan’s service area.

E. Kickbacks and Other Inducements:

- Willful offer, payment, solicitation or receipt of remuneration to induce the referral of business reimbursable under the Medi-Cal program;
- Inappropriate incentives or remuneration to enrollees to induce them to use a particular practitioner, provider, or supplier.

F. False Claims:

- False or fraudulent claims knowingly presented for payment or approval;
- False records or statements material to a false or fraudulent claim knowingly made, used, or caused to be made or used.

G. Confidentiality:

- Unauthorized use and or disclosure of a member’s or an employee’s personal information (PI) or protected health information (PHI);
- Improper disclosure of protected peer review information.

H. Excluded Providers:

- Contractual or employment relationships with persons or entities which are suspended, excluded or otherwise not eligible to participate in federal or state health care programs;

- Improper reimbursement for items or services furnished, ordered, prescribed, or supplied by an excluded person or entity;
- Failure to take appropriate corrective action upon subsequently learning of a person’s or entity’s excluded status.

I. Member Dis-Enrollment:

- Improper action to request or encourage an individual to dis-enroll from any health plan.

J. Marketing

- Improper or misleading marketing materials

VI. COMPLIANCE PROGRAM ELEMENTS

A. POLICIES AND PROCEDURES

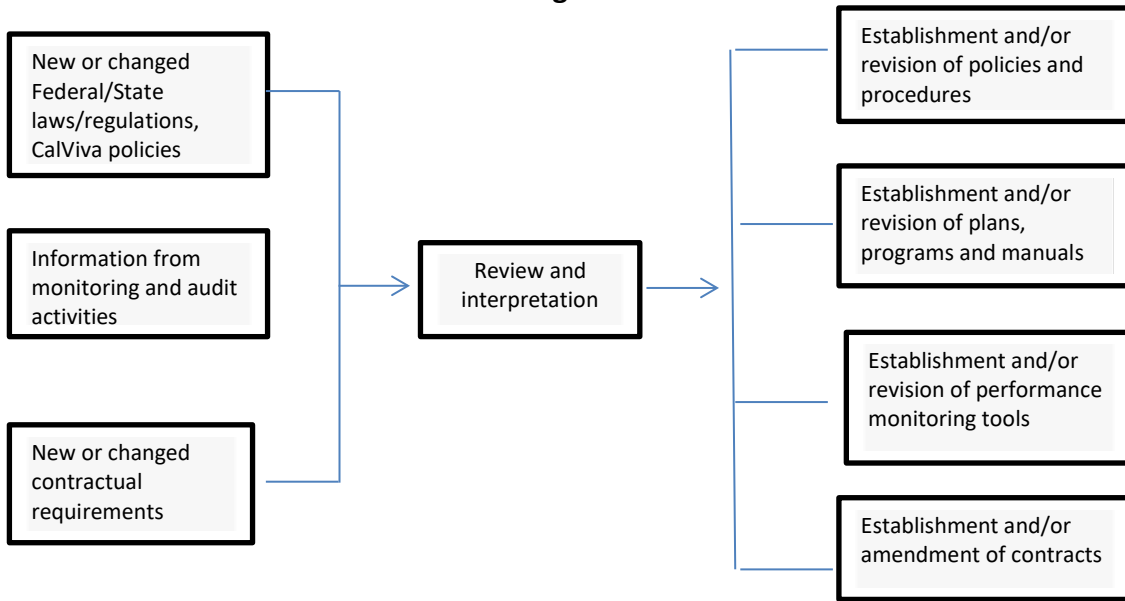
Prevention is the cornerstone to CalViva’s Compliance Program. Efforts to prevent noncompliance are articulated through written policies, procedures, work plans, program descriptions and manuals. The Compliance Department staff implements the Program in collaboration with its internal stakeholders from the Medical Management and Finance Departments. CalViva’s Compliance Committee or other Plan Committees, as applicable, meet regularly to review and approve proposed changes to CalViva’s Policies and Procedures. CalViva maintains an on-line library of policies and procedures. Although it contains many policies, Table 2 lists those key policy topics that underpin the majority of CalViva’s risk management approach and compliance methodologies. Two fundamental Compliance Program plans, the “Privacy and Security Plan” and the “Fraud Prevention Program”, are reviewed annually by the Commission and provide detailed plan requirements and activities.

Table 2. Key Compliance-Related Policy Topics

Code of Conduct	Quality Improvement
Conflict of Interest	Utilization Management
Privacy and Security	Credentialing
Fraud Prevention	Peer Review
Appeals and Grievances	Delegation Oversight
Claims	Provider Disputes
Population Health Management	Health Equity
Emergency Preparedness and Crisis Response Plan	

Figure 1 below shows the factors that may precipitate changes in various policies, procedures, and ancillary documents.

Figure 1.



B. MONITORING

The Compliance Program incorporates periodic monitoring and auditing of its subcontractors. Mechanisms such as delegation oversight audits, case file audits, and periodic review of operational metrics are employed. Additionally, CalViva conducts joint operational and management meetings with HNCS. Table 3 presents some of the key activities that are monitored and reported on a periodic basis (e.g., monthly, quarterly, annually).

Table 3. Activities Monitored by CalViva

Provider Network and Provider Relations	Member Appeals and Grievances	Practitioner and Provider Credentialing
Provider Access and Availability	Facility Site Reviews & Medical Record Reviews	Encounter Data
Member Rights/Member Experience	Health Equity	Claims Payment
Marketing	Provider Grievances and Disputes	Utilization Management & Case Management
Health Education	Privacy and Security	Quality Improvement
Pharmaceutical Services	Provider Training	Continuity of Care
Fraud, Waste & Abuse	Behavioral Health	Call Center
Emergency Room	NEMT/NMT	

When monitoring indicates problems, an appropriate Corrective Action Plan (CAP) is implemented to ensure issues are communicated and resolved.

C. EDUCATION AND TRAINING

The Compliance Department provides continuous training and education of its employees on their legal and ethical obligations under applicable laws, regulations and organizational policies. For example, upon completion of new hire training and annually thereafter, all employees must sign a certification statement acknowledging that they have read and understood the documents listed in Table 4.

Table 4. Program Documents

Compliance Program Description	Code of Conduct	Conflict of Interest	Fraud Prevention
Privacy and Security Plan	Confidentiality Agreement	Drug and Alcohol Policy	Emergency Preparedness and Crisis Response Plan

When applicable, CalViva Health directly-contracted vendors or consultants who have direct member or member records contact will receive copies of the Compliance Program, Fraud Prevention Program, Privacy and Security Plan, and Code of Conduct. They must sign a certification statement acknowledging that they have read and understand the documents. In some vendor relationships, only a Business Associate’s Agreement (BAA) may be needed.

Employees also receive training on the proper execution of key work processes. CalViva regularly reviews and updates its training programs as well as identifies additional areas of training as needed based on new developments. Information regarding these developments and their implications are also communicated to and from CalViva’s contractors as applicable.

Additionally, CalViva’s CCO, Management, and individual staff members receive additional education and training as needed through professional associations, webinars and regulatory agency meetings related to federal and state requirements and compliance.

D. REPORTING NONCOMPLIANCE

Fundamental to the effectiveness of CalViva’s Compliance Program is the concept of nonretaliation. All persons associated with CalViva, including its Commission members, Committees, employees, subcontractors, consultants, and vendors are free to come forward and report suspected noncompliance with the Code of Conduct,

Program Documents, CalViva policy and procedures, and state and federal regulations without fear of retaliation or retribution. The following types of noncompliance are of particular concern for expeditious reporting and corrective action:

1. **Criminal and Civil Violations of Law**: CalViva conducts fact-finding activities, and reports to the proper authorities for further investigation and action, all credible, suspected occurrences of fraud, waste, abuse, kickbacks, and unauthorized uses and disclosures of protected information, including PHI.
2. **Contractual Violations**: As outlined in the “Scope of Work” section of CalViva’s contract with DHCS (and occasionally as issued in DHCS “All Plan Letters”), CalViva must submit a broad range of Plan data and information to DHCS and DMHC (e.g., encounter data, grievances /appeals, provider network, timely access, etc.). Many of these reports are submitted in agency-specified formats by each Department’s stated due date. Additionally, CalViva must also respond to DMHC and DHCS as it relates to members’ requests for Independent Medical Reviews (IMRs) and State Hearings (SHs) by each Department’s due date. Failure to comply in a timely manner to these agency’s requests may result in CalViva receiving an Enforcement Action.
3. **Other Misconduct**: Those behaviors that do not comport with the general principles outlined in the Code of Conduct of treating other employees, subcontractors, providers, and Plan members with honesty, dignity, respect and courtesy.

E. RESPONSE AND CORRECTIVE ACTION

Noncompliance with, and violation of, state and federal regulations can threaten CalViva’s status as a reliable and trustworthy provider capable of participating in federal health care programs. Accordingly, CalViva in cooperation with subcontractors and regulators, will make all reasonable efforts to prevent, correct and remedy the operational factors and circumstances under which such noncompliance or violations occurs. Depending on the nature, circumstances and severity of the noncompliance/violation, if any CalViva employee is determined to be involved or responsible, these efforts may include a range of disciplinary and corrective actions up to and including termination. If any consultant or subcontractor is determined to be involved or responsible, these efforts may include a range of disciplinary and corrective actions up to and including termination of CalViva’s contract with the consultant or subcontractor.

VII. SUMMARY

CalViva’s Compliance Program employs a comprehensive approach to ensuring its business operations are compliant with ethical standards, contractual obligations, and all applicable state and federal statutes and regulations, including those specifically related

to the Medi-Cal program. Moreover, CalViva maintains an on-going commitment to ensure that the Compliance Program remains relevant and vigilant to the requirements of a constantly evolving and regulated managed health care system.

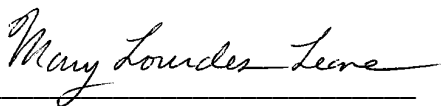
VIII. AUTHORITY


1. Knox-Keene Health Care Service Plan Act of 1975 and its amendments (California Health and Safety Code)
2. Title 28 of the California Code of Regulations
3. Title 22 of the California Code of Regulations
4. California Welfare and Institutions Codes
5. 42 CFR 438 (Managed Care)
6. 45 CFR 160, 162, and 164 (HIPAA Privacy & Security Rules)
7. 45 CFR 92 (Anti-Discrimination)
8. California Information Practices Act of 1977 (IPA)
9. The California Confidentiality of Medical Information Act (CMIA)
10. CalViva-DHCS Medi-Cal Contract (Including all amendments)
11. Federal Sentencing Guidelines Manual: Chapter 8, §8B2.1. Effective Compliance and Ethics Program

IX. Program Documents

1. Code of Conduct
2. Fraud Prevention Program
3. Privacy and Security Plan
4. CalViva Health Policies & Procedures
5. Emergency Preparedness and Crisis Response Plan

X. APPROVAL

		February 20, 2025
Name:	Mary Lourdes Leone	_____
Title:	Chief Compliance Officer	Date

		February 20, 2025
Name:	Jeffrey Nkansah	_____
Title:	Chief Executive Officer	Date

David S. Hodge

February 20, 2025

Name: David S. Hodge, M.D.
Title: Chair, RHA Commission

Date

DOCUMENT HISTORY	
Date	Comments
03/01/2011	New Program Description
02/09/2012	Annual Update of Program Description
01/17/2013	Annual Update of Program Description
02/06/2014	Annual Review: Changes to clarify current contractual relationships and activities; comply with new regulations and Medi-Cal contract requirements
01/26/2015	Annual Review: Changes to clarify monitoring and auditing activities
02/08/2016	Annual Review, added reference document
02/02/2017	Annual Review: Program Description is replaced in its entirety. Overall content is the same; reduced duplication with other program plans, formatting, editorial and organizational enhancements to all sections.
2/1/2018	Annual Review: Deleted "Privacy & Security Officer" from the CCO's responsibilities. CalViva's COO will now serve as the "Privacy & Security Officer", and this is reflected in the Privacy and Security Plan.
01/07/19	Annual Review: No changes.
01/21/20	Added additional Discrimination language to V. Compliance Risk areas, Section A.
10/22/20	Annual Review: Edited IV, D. (3.) to reflect current practice of preparing the annual Compliance Program Evaluation.
2/7/22	Annual Review: Updated CCO to Mary Lourdes Leone and CEO to Jeffrey Nkansah; added "Privacy Officer" to Section IV. D.; added Fraud, Waste & Abuse to Table 3.
1/29/23	Annual review; No changes
1/25/24	Annual Review: Section I, added new 2024 DHCS Contract; Section VI.A, added Population Health Management and Health Equity; Section VI.B, added Member Experience and Behavioral Health Oversight audits, and changed C&L to Health Equity.

1/29/2025	Annual Review: Changed Anti-Fraud Plan to Fraud Prevention Plan throughout; Section VI A. Table 2 added Emergency Preparedness and Response; Section VI.B Added additional activities monitored by CVH; Section VI C. Table 4 added Emergency Preparedness and Response Plan, and also clarified language regarding external distribution of Compliance Program documents.
-----------	--